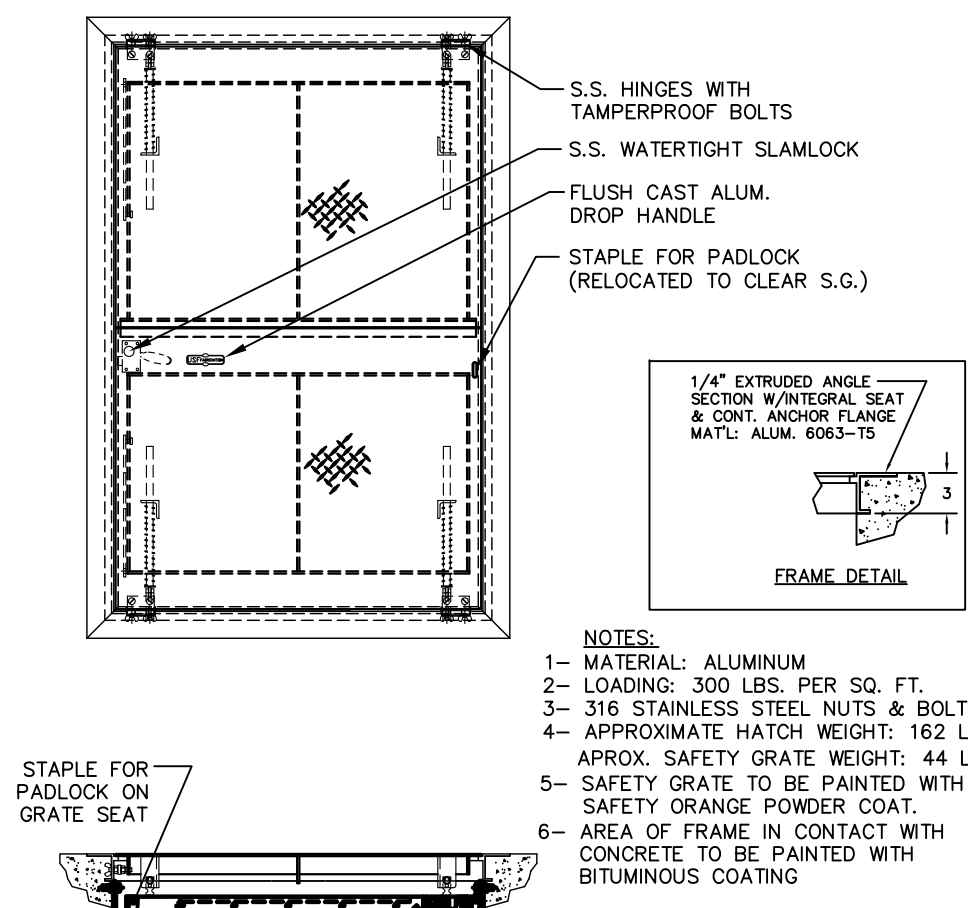
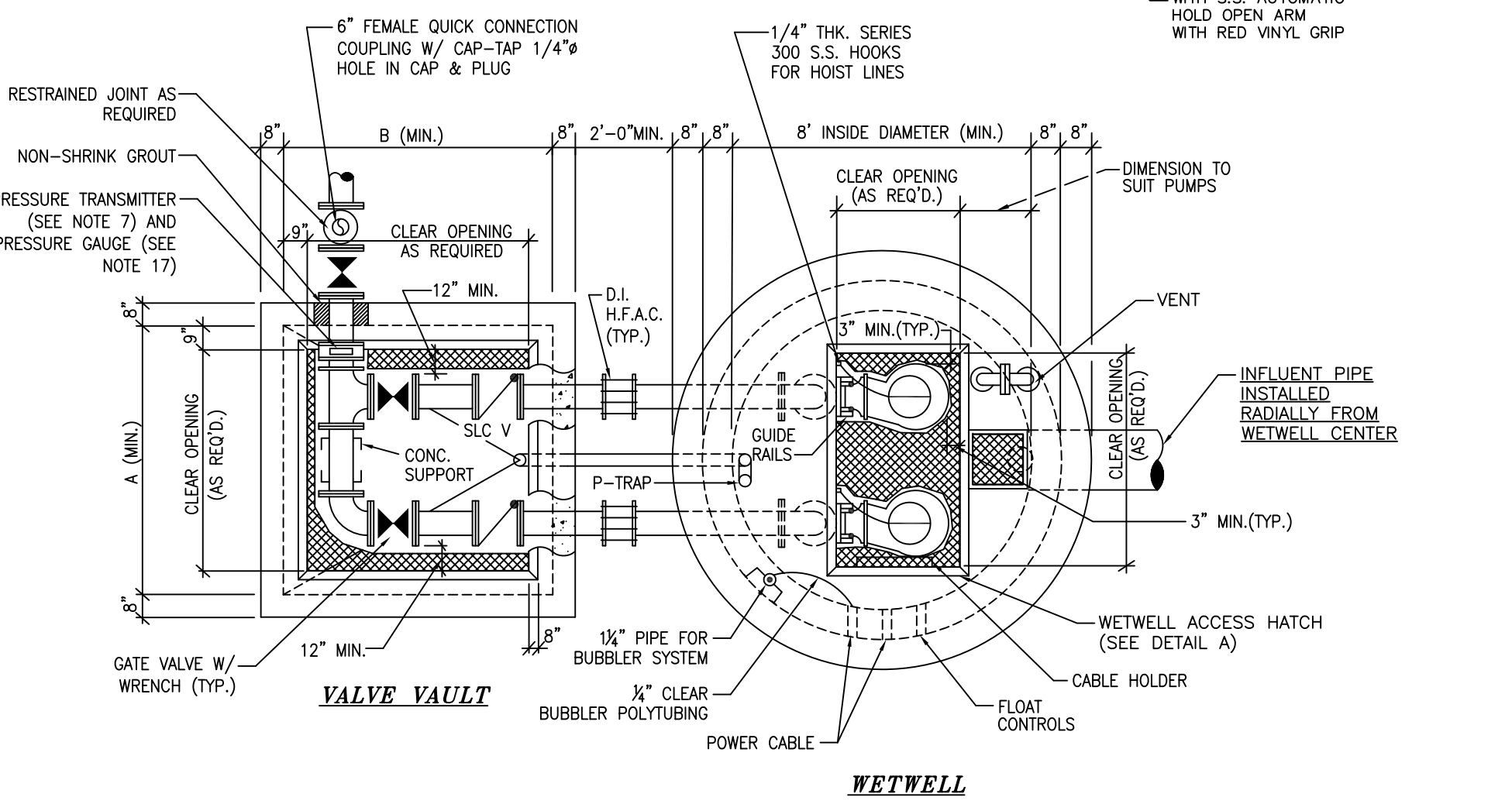


**DETAIL A**  
**WETWELL ACCESS HATCH**  
N.T.S.

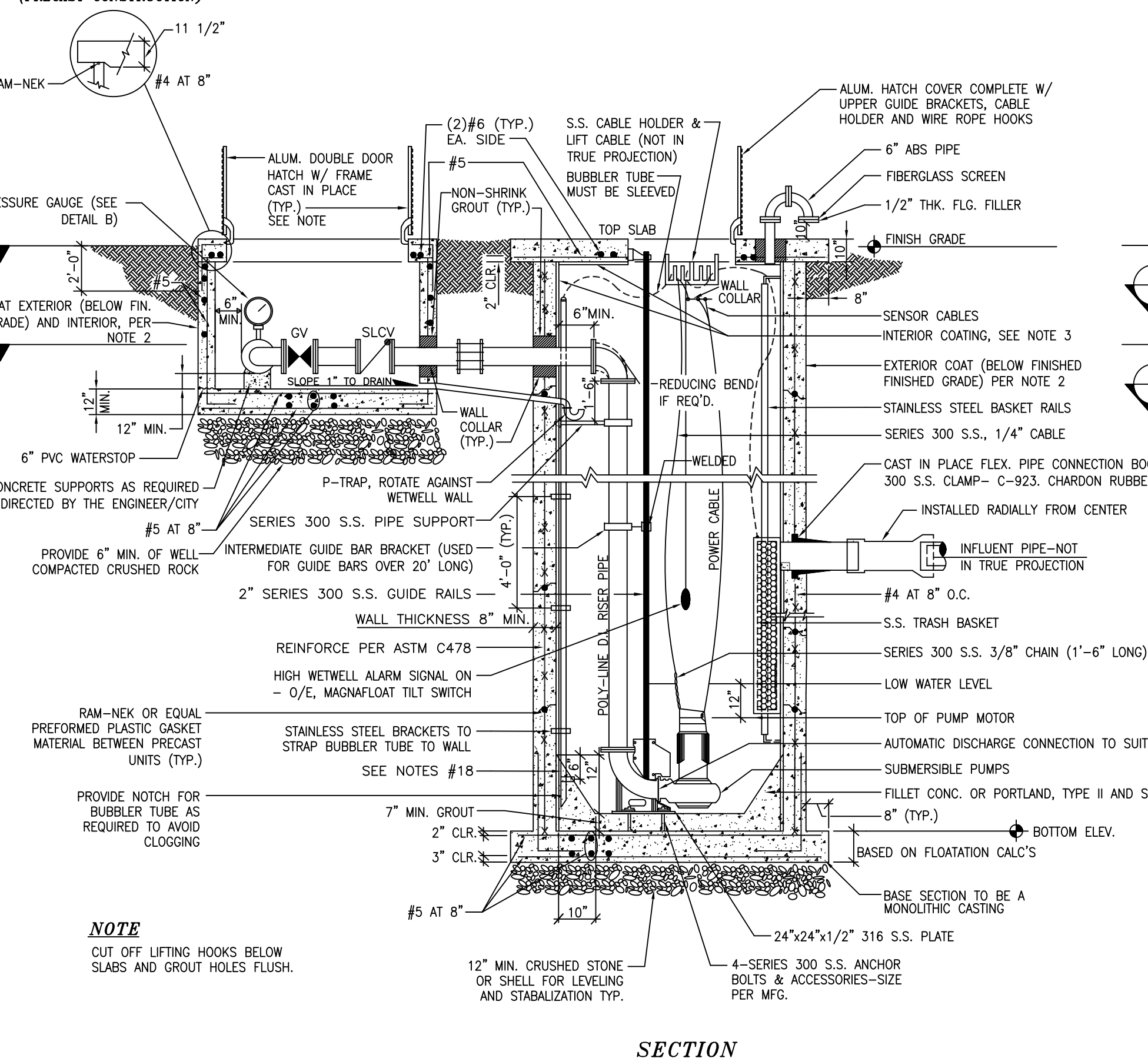


**DETAIL B**  
**PRESSURE GAUGE**  
N.T.S.

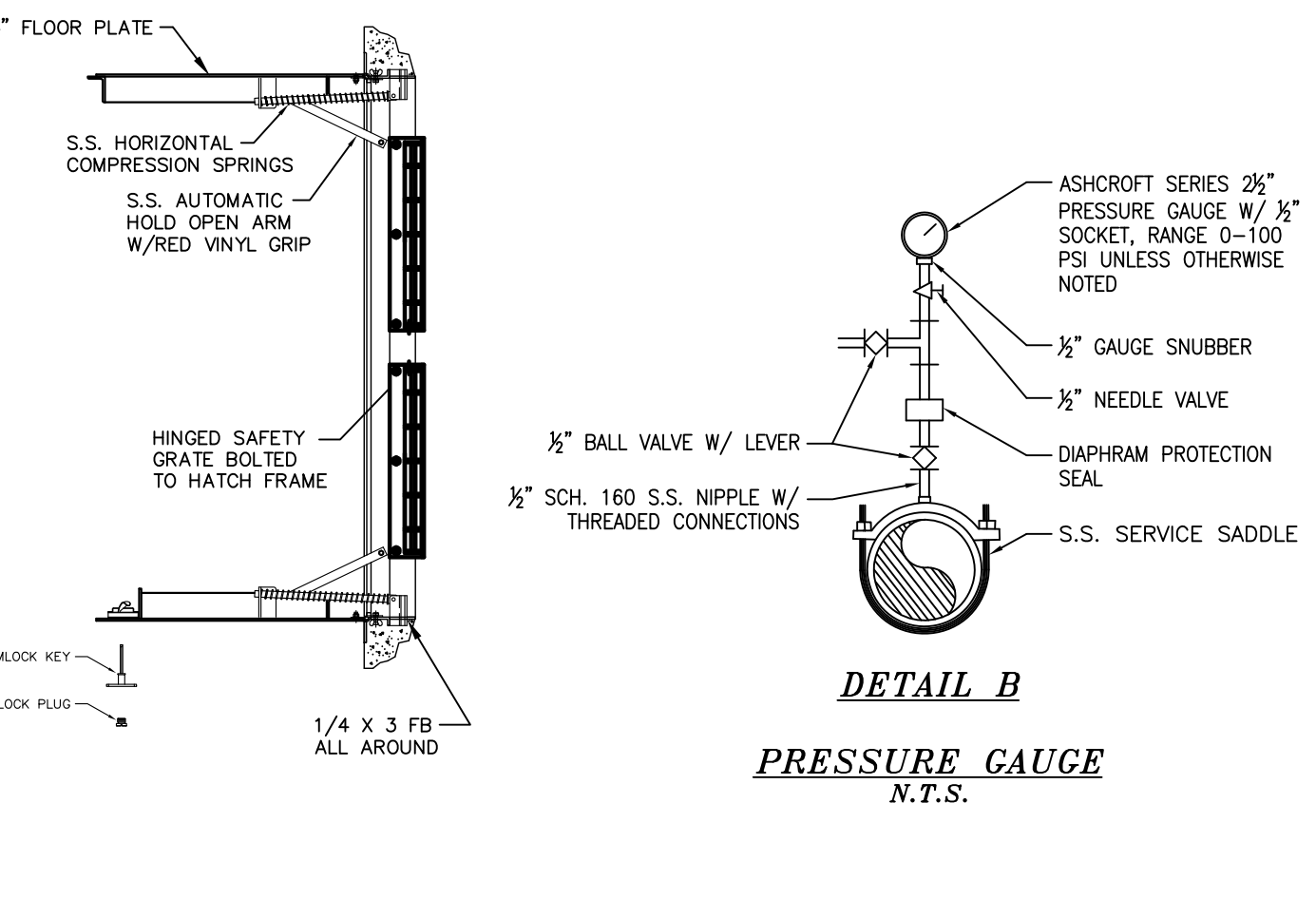


**PLAN**  
N.T.S.

**ALTERNATE DETAIL**  
**(PRECAST CONSTRUCTION)**



**SECTION**  
N.T.S.

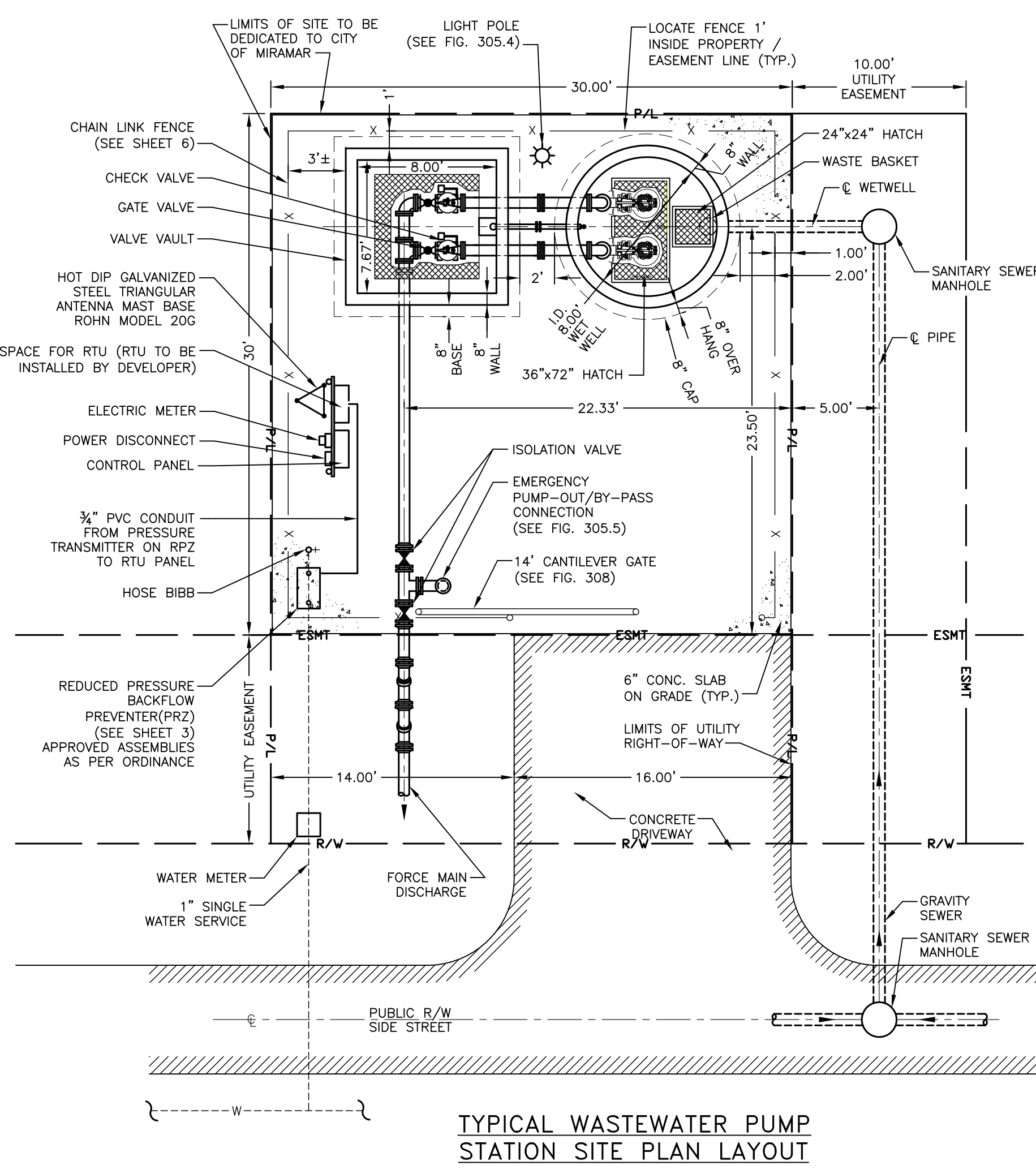


**WASTEWATER PUMP-OUT/BYPASS**  
**CONNECTION WITH PRESSURE**  
**TRANSMITTER**  
N.T.S.

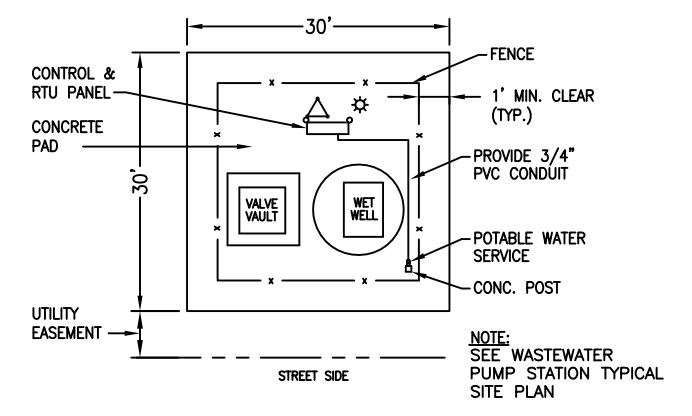
NUMBER OF PUMPS	FORCE MAIN SIZE	DISCHARGE SIZE	DIAMETER RISER PIPE	DIAMETER PIPE AFTER RISER	DIAMETER WETWELL (I.D.)	100-YR FLOOD ELEVATION	BOTTOM OF WETWELL ELEVATION	INFLUENT PIPE ELEVATION	HIGH LEVEL ALARM FLOAT ELEVATION	LAG PUMP ON ELEVATION	HIGH LEVEL ALARM ON ELEVATION	LEAD PUMP ON ELEVATION	PUMPS OFF ELEVATION AT 1 FEET ABOVE PUMP MOTOR	LOW LEVEL ALARM ON ELEVATION	MINIMUM WATER ELEVATION	TOP OF PUMP ELEVATION
2	4"	7"	7"	7"	7"											
2	6"	7"	7"	7"	7"											
2	8"	7"	7"	7"	7"											
2	10"	7"	7"	7"	7"											

**ABBREVIATIONS**

- ABS ACRYLONITRILE BUTADIENE STYRENE
- CLR CLEARANCE
- DI DIAPHRAGM
- HFAC HARNESSED FLANGED ADAPTER COUPLING
- SLCV SPRING & LEVER CHECK VALVE (M&H CO.)
- GV GATE VALVE
- PVC POLYVINYL CHLORIDE
- SS STAINLESS STEEL
- PT PIPE TREAD PORT



**TYPICAL WASTEWATER PUMP**  
**STATION SITE PLAN LAYOUT**



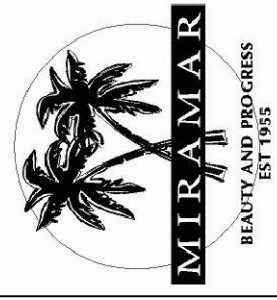
**TYPICAL SITE LAYOUT**  
N.T.S.

- NOTES:**
- ENGINEER SHALL PROVIDE A SCALED (1"=20' MIN.) SITE SPECIFIC DETAIL.
  - SITE PLAN TO INCLUDE BENCH MARK AND NORTH ARROW.
  - 16" WIDE CONCRETE DRIVE IN ACCORDANCE WITH CITY DRIVEWAY STANDARDS.
  - LANDSCAPE THE SITE PER CITY LAND DEVELOPMENT CODE.
  - MASTER LIFT STATION TO BE SUPPLIED WITH AUXILIARY GENERATOR SET AND WITH A FUEL TANK IN ACCORDANCE WITH BROWARD COUNTY HEALTH DEPARTMENT REGULATIONS.

NO.	DATE	REVISIONS	BY
1	06/20/18	PRESSURE TRANSMITTER SPEC. VARIATIONS	M.C.
2	04/15/18	INCLUDE ADDITIONAL HATCH DETAILS	W.G.
3	07/20/14	GENERAL	S.A.

**WASTEWATER PUMP STATION**

**CITY OF MIRAMAR**  
**DEPARTMENT OF**  
**CONSTRUCTION & FACILITIES MANAGEMENT**  
**ENGINEERING STANDARDS**



**SCALE:**  
N.T.S.

**SHEET NO.**  
5 OF 11